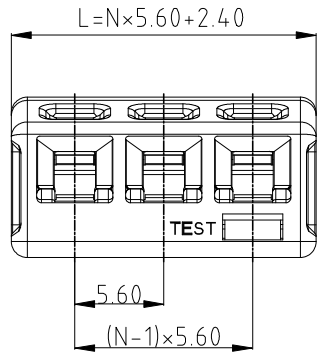
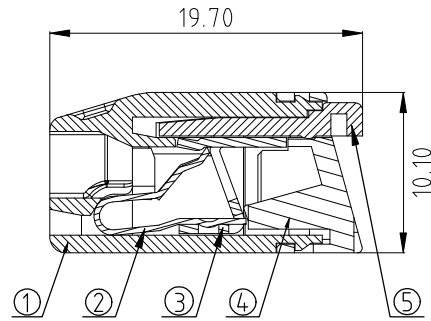


REV	SIGN	DATE	DESCRIPTION	APPROVER
B		2020.04.17	Initial Release	
THIS IS CAD DRAWING, DO NOT REVISE MANUALLY!!!				



(N= NUMBER OF POLES)

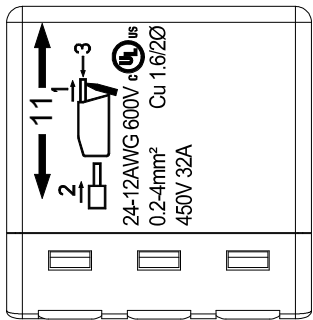


Electrical

- Voltage rating: UL 600V (IEC 450V)
- Current rating: UL 35A (IEC 32A)
- Wire range: 0.2-4mm²
- Solid wire(AWG): 12-24
- Stranded wire(AWG): 12-24
- Wire strip length: 11-12mm
- Withstanding Voltage: 3.4KV
- Insulation resistance: 500MΩ @DC500V
- Operating temperature: -40 to +85°C
- Safety Approval: cULus
- Poles: 2P, 3P, 5P

Material

- Item ① Terminal housing: PC
- Item ② Terminal Clamp: Stainless steel
- Item ③ Conductor: Copper
- Item ④ Terminal Cover: PC
- Item ⑤ Terminal lever: PA66

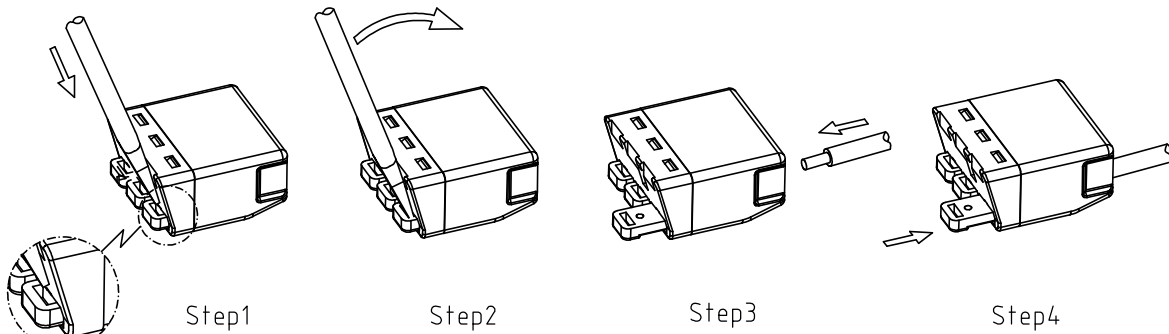


AUTHORISED REPRESENTATIVE:
MEDs Interconnect Pte Ltd
 5012 Ang Mo Kio Avenue 5, #03-09
 Techplace II (East Wing), Singapore 569876
Email: sales.marketing@meds-int.com
Tel: +65 6235 6355

N3 XX 00 X 0 XXXX G

No. of Poles: 02 2 Poles, 03 3 Poles, 05 5 Poles
 Lever Color: 3 Orange
 RoHS compliant (lead<4%)
 0000: "@" Mark (Standard)

Instruction of wire insertion



Amphenol ANYTEK				CUSTOMER COPY		
ALL RIGHTS RESERVED. REPRODUCTION OR ISSUE TO THIRD PARTIES IN ANY FORM WHATSOEVER IS NOT PERMITTED WITHOUT WRITTEN AUTHORITY FROM THE PROPRIETOR. PROPERTY OF ANYTEK TECHNOLOGY CO., LTD						
TITLE	N3 Pitch5.60 2P/3P/5P 本體透明(PC) 壓板橙色(NL66)					
PART NO.	N3xx00300000G		DWG NO.	8N30002		
APPROVED	CHECKED	DESIGNED	DRAWN	CUST NO.	Tolerance	
		Devin 2020.04.17	Devin 2020.04.17	 SHEET: 01/01	UNIT: mm	X. ±0.50
					SCALE: 2:1	X.X ±0.30
				REV.: B	X.XX ±0.10	X* ±1°