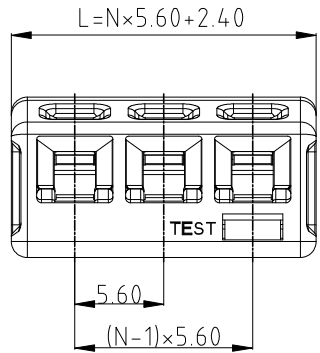
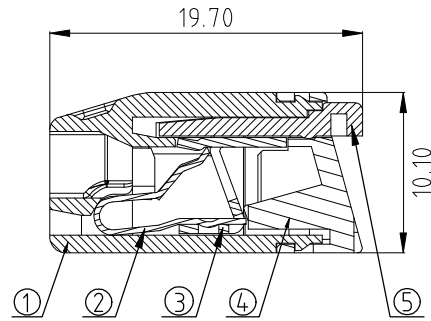


REV	SIGN	DATE	DESCRIPTION	APPROVER
B		2020.04.17	Initial Release	
<i>THIS IS CAD DRAWING, DO NOT REVISE MANUALLY!!!</i>				



(N= NUMBER OF POLES)

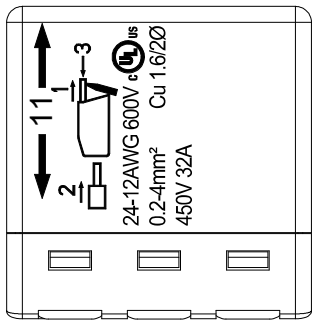


Electrical

- Voltage rating: UL 600V (IEC 450V)
- Current rating: UL 35A (IEC 32A)
- Wire range: 0.2-4mm²
- Solid wire(AWG): 12-24
- Stranded wire(AWG): 12-24
- Wire strip length: 11-12mm
- Withstanding Voltage: 3.4KV
- Insulation resistance: 500MΩ@DC500V
- Operating temperature: -40 to +85°C
- Safety Approval: cULus
- Poles: 2P, 3P, 5P

Material

- Item ① Terminal housing: PC
- Item ② Terminal Clamp: Stainless steel
- Item ③ Conductor: Copper
- Item ④ Terminal Cover: PC
- Item ⑤ Terminal lever: PA66

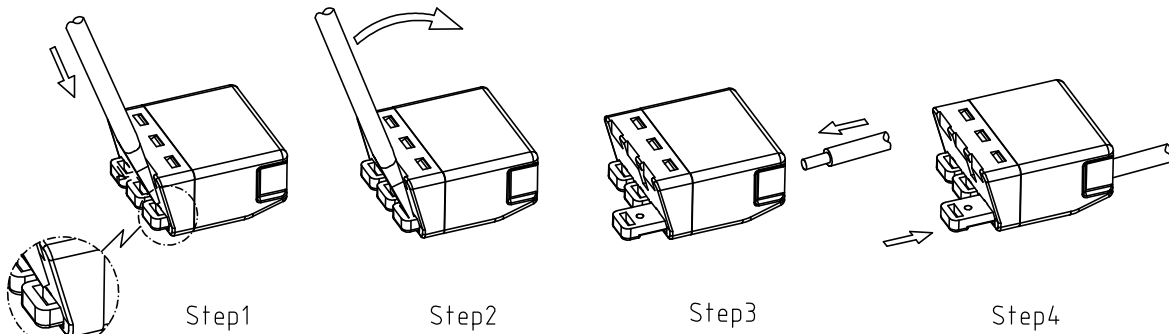


AUTHORISED REPRESENTATIVE:
MEDS Interconnect Pte Ltd
 5012 Ang Mo Kio Avenue 5, #03-09
 Techplace II (East Wing), Singapore 569876
 Email: sales.marketing@meds-int.com
 Tel: +65 6235 6355

N3 XX 00 X 0 XXXX G

No. of Poles: 02 2 Poles, 03 3 Poles, 05 5 Poles
 Lever Color: 3 Orange
 RoHS compliant (lead<4%)
 0000: "@" Mark (Standard)

Instruction of wire insertion



Amphenol ANYTEK				CUSTOMER COPY	
<small>ALL RIGHTS RESERVED. REPRODUCTION OR ISSUE TO THIRD PARTIES IN ANY FORM WHATSOEVER IS NOT PERMITTED WITHOUT WRITTEN AUTHORITY FROM THE PROPRIETOR. PROPERTY OF ANYTEK TECHNOLOGY CO., LTD</small>					
TITLE	N3 Pitch5.60 2P/3P/5P 本體透明(PC) 壓板橙色(NL66)				
PART NO.	N3xx00300000G		DWG NO.	8N30002	
APPROVED	CHECKED	DESIGNED	DRAWN	CUST NO.	Tolerance
		Devin 2020.04.17	Devin 2020.04.17		X. ±0.50 X.X ±0.30 X.XX ±0.10 X* ±1°
			SHEET: 01/01		UNIT: mm SCALE: 2:1 REV.: B